



Mi-T-M®

C O R P O R A T I O N

CHEMICAL PUMPS

WTP-F02-1MGM

WTP-F03-1MGME

**NOTE: ENGINE IS SHIPPED WITHOUT OIL. REFER TO ENGINE
MANUAL.**

Introduction

Congratulations on the purchase of your new Chemical Pump! You can be assured your product was constructed and designed with quality and performance in mind. Each component has been rigorously tested to ensure the highest level of acceptance.

This operator's manual was compiled for your benefit. By reading and following the simple safety, installation, operation, maintenance and troubleshooting steps described in this manual, you will receive years of trouble-free operation from your new unit. The contents of this manual are based on the latest product information available at the time of publication. The manufacturer reserves the right to make changes in price, color, materials, equipment, specifications or models at any time without notice.

Once the unit has been removed from the box, immediately write in the serial number of your unit in the space provided below.

SERIAL NUMBER _____

Inspect for signs of obvious or concealed freight damage. If damage does exist, file a claim with the transportation company immediately. Be sure that all damaged parts are replaced and that the mechanical problems are corrected prior to operation of the unit. If you require service, contact your Customer Service.

Mi-T-M® Corporation, 50 Mi-T-M Drive, Peosta, IA 52068
(563) 556-7484 / (1-800-553-9053) Fax 563-556-1235
Monday - Friday 8:00 a.m. - 5:00 p.m. CST

Please have the following information available for all service calls:

1. Model Number
2. Serial Number
3. Date and Place of Purchase

⚠ WARNING

⚠ WARNING: This product can expose you to chemicals including Lead, which is known to the State of California to cause cancer and birth defects or other reproductive harm. For more information go to www.P65Warnings.ca.gov

⚠ WARNING

⚠ WARNING: This product can expose you to chemicals including carbon monoxide, which is known to the State of California to cause birth defects or other reproductive harm. For more information go to www.P65Warnings.ca.gov

Table of Contents

INTRODUCTION	2
SAFETY	4
IMPORTANT	5
IMPORTANT SAFETY INSTRUCTIONS	5
FEATURES	7
PRE-OPERATION	8
INSTALLATION	8
LOCATION	8
SUCTION CONNECTION.....	8
DISCHARGE CONNECTIONS	8
BEFORE USE	8
OPERATION	10
STARTING AND OPERATING THE ENGINE	10
STOPPING THE ENGINE	11
SHUTDOWN	11
TROUBLE SHOOTING	12
MAINTENANCE	13
AIR FILTER	13
OIL LEVEL	13
OIL CHANGE	13
SPARK PLUG	13
PUMP.....	13
STORAGE	14
PUMP STORAGE	14
ENGINE EXTENDED STORAGE.....	14
SPECIFICATIONS.....	15
WARRANTY	16

THIS SPARK IGNITION SYSTEM COMPLIES WITH
CANADIAN ICES-002.
CE SYSTÈME D'ALLUMAGE PAR ÉTINCELLE EST
CONFORME À LA NORME NMB-002 DU CANADA.

⚠ WARNING/AVERTISSEMENT

RISK OF BURNS
Hot surfaces, Muffler
and adjacent areas may
exceed 150°F.



RISQUE DE BRULURES
Surfaces chaudes le tuyau
d'échappement et les régions
adjacentes peuvent dépasser
les 65°C.

34-0767/122813

Safety

RECOGNIZE SAFETY INFORMATION

This is the safety alert symbol. When you see this symbol on your new unit or in this manual, be alert to the potential for personal injury.

Follow recommended precautions and safe operating practices.



UNDERSTAND SIGNAL WORDS

A "DANGER, WARNING or CAUTION" safety warning will be surrounded by a "SAFETY ALERT BOX." This box is used to designate and emphasize Safety Warnings that must be followed when operating the Semi-Trash Pump.

Accompanying the Safety Warnings are "signal words" which designate the degree or level of hazard seriousness. The "signal words" used in this manual are as follows:

DANGER: Indicates an imminently hazardous situation which, if not avoided, WILL result in death or serious injury.

WARNING: Indicates a potentially hazardous situation which, if not avoided, COULD result in death or serious injury.

CAUTION: Indicates a potentially hazardous situation which, if not avoided MAY result in minor or moderate injury.



READ OPERATING INSTRUCTIONS

Always become familiar with all the instructions and warnings before operating any unit.

IMPROPER OR UNSAFE USE OF THIS PUMP CAN RESULT IN DEATH OR SERIOUS BODILY INJURY! THIS MANUAL CONTAINS IMPORTANT INFORMATION ABOUT PRODUCT SAFETY. PLEASE READ AND UNDERSTAND THIS MANUAL BEFORE OPERATING THE CHEMICAL TRANSFER PUMP. Keep this manual available for other users and owners before they use the pump. This manual should be stored in a safe place.



Safety

IMPORTANT

FIRE & VENTILATION PRECAUTIONS:



WARNING: DO NOT PUMP FLAMMABLE OR EXPLOSIVE FLUIDS SUCH AS GASOLINE, FUEL OIL, KEROSENE, ETC. DO NOT USE IN EXPLOSIVE ATMOSPHERES. THE PUMP SHOULD BE USED ONLY WITH LIQUIDS THAT ARE COMPATIBLE WITH THE PUMP COMPONENT MATERIALS. FAILURE TO FOLLOW THIS WARNING CAN RESULT IN PERSONAL INJURY AND/OR PROPERTY DAMAGE.

1. This unit was designed for outdoor use only. NEVER operate this unit in an enclosed area. ALWAYS make certain there is adequate air (oxygen) for combustion as well as ventilation to prevent the presence of poisonous carbon monoxide gases. Beware of poorly ventilated areas or exhaust fans which can cause inadequate combustion or engine overheating.
2. NEVER operate this unit in the presence of flammable vapors or combustible dust, gases or other combustible materials. (A spark may cause an explosion or fire.) When servicing this machine, be especially careful to properly dispose of any flammable materials. DO NOT spray flammable liquids.
3. ENGINE FUEL TANK:
 - a. DO NOT SMOKE WHILE FILLING ENGINE FUEL TANK
 - b. NEVER fill the engine fuel tank while the unit is running or hot. Allow the engine to cool two minutes before refueling.
 - c. DO NOT refuel indoors or in a poorly ventilated area.
 - d. ALWAYS refuel slowly to avoid the possibility of spilled fuel which may cause a risk of fire.
4. DO NOT operate the unit if gasoline is spilled. Wipe unit clean and move the unit away from the spill. Avoid creating any ignition until the gasoline has evaporated.
5. DO NOT store the unit near an open flame or any equipment such as a stove, furnace, water heater, etc., which utilizes a pilot light or devices which can create a spark.

IMPORTANT



WARNING: TO REDUCE THE RISK OF INJURY, READ THIS OPERATOR'S MANUAL COMPLETELY BEFORE USING. WHEN USING THIS PRODUCT, THE FOLLOWING BASIC PRECAUTIONS SHOULD ALWAYS BE FOLLOWED.

The following is required by California State law, Section 4442 of the California Public Resources Code. Other states may have similar laws. Federal laws apply on federal lands.

See your engine or equipment dealer for spark arrester muffler options.

IMPORTANT SAFETY INSTRUCTIONS

1. Do not touch muffler or any part of the engine.
2. DO NOT EXCEED recommended speed, pressure and temperature (120 degrees F) for pump and equipment being used.

Safety

3. BEFORE SERVICING, drain all liquids from the system and flush. Remove the spark plug wire from the spark plug before servicing the pump or engine.
4. Secure the discharge lines before starting the pump. An unsecured line may whip, causing personal injury and/or property damage.
5. Check hose for weak or worn condition before each use. Make certain that all connections are tight and secure.
6. Periodically inspect the pump and the system components. Perform routine maintenance as required (see Maintenance section).
7. Protect pump from freezing conditions by draining liquid and pumping a permanent-type automobile antifreeze containing a rust inhibitor through the system, coating the pump interior. A 50% mixture with water is recommended.
8. Do not operate a gasoline engine in an enclosed area. Be sure the area is well ventilated.



WARNING: GASOLINE IS A HIGHLY COMBUSTIBLE FUEL. THE IMPROPER USE, HANDLING, OR STORAGE OF GASOLINE CAN BE DANGEROUS. NEVER TOUCH OR FILL A HOT ENGINE.

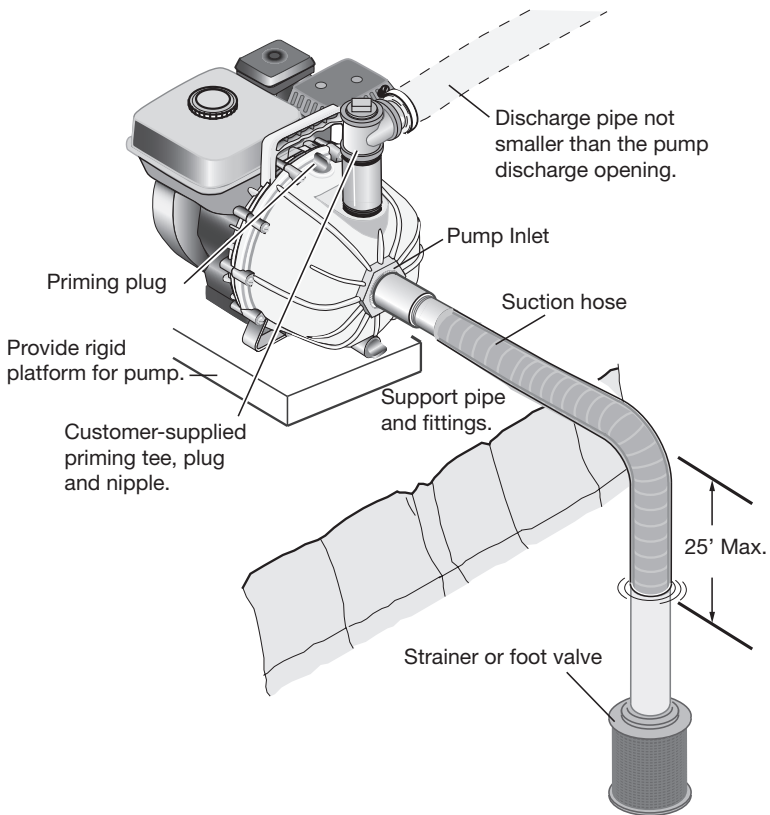
9. Use only pipe, hose and fittings rated for the maximum psi rating of the pump.
10. Do not use these pumps for pumping water or other liquids for human or animal consumption.

Note: It is illegal to ship or transport any hazardous chemicals without United States Environmental Protection Agency Licensing.

11. Always drain and flush pumps before servicing or disassembling for any reason.
12. Before returning unit for repair, drain out all liquids and flush unit with neutralizing liquid. Then, drain the pump. Attach a tag or include a written notice certifying that this has been done.
13. Never store pumps containing hazardous chemicals.

NOTE: For best possible performance and continuous, satisfactory operation, read these instructions before installing your new pump. Should service be required, this manual can be a valuable guide. It should be kept near the installation for ready reference.

Features



WARNING HAZARDOUS SUCTION. CAN TRAP PERSONS AGAINST SUCTION INLET. ALWAYS USE STRAINER ON SUCTION HOSE TO PREVENT ENTRAPMENT.

Use pipe or reinforced hose to make suction connection. Hose must be strong enough to prevent collapsing during operation.

Suction screen area must be at least four times suction pipe area.

All suction piping must slope up toward the pump inlet.

Support the piping and fittings to reduce strain on the pump case.

Depth of suction inlet at least four (4) times the diameter of suction pipe to avoid forming vortices. Example: 2" Pipe x 4 = 8" minimum depth.

Pre-Operation

NOTE: Before setting up the pump for operation, check to see that the motor and pump turn freely by hand. If it cannot be turned over by pulling on the recoil starter, open casing to check for obstructions lodged in pump.

NOTE: A basket strainer is to be used when transferring solutions that may contain debris and solids which could become lodged in the pump or damage the impeller. Because of the high flow capacity of this pump, unknown debris could be siphoned off the bottom of the tank. Install the strainer on the suction side of the pump whenever possible to avoid pump damage.

INSTALLATION

LOCATION

Place unit as close to water source as possible to minimize suction lift, obtain the best pumping performance, and aid in priming. A typical portable installation is shown in on previous page. For permanent installation, mount unit on a foundation that will support the weight of the pump and engine and also provide stability while the pump is running. For most permanent installations, it is advisable to bolt unit directly to foundation.

NOTE: Settling and/or shifting during operation can cause piping to place excessive strain on the pump and may damage pump case. Set pump on hard level surface. Non-level surfaces may cause the oil sensor in the engine to shut down the unit.

SUCTION CONNECTION

Connect either rigid pipe or flexible suction hose to pump suction. If hose is selected, hose must be rated to hold the suction vacuum and prevent collapse while the pump is running. Make the suction line a continuous rise from the water source to the pump. High spots can trap air and also make priming difficult. Make sure all connections are tight and free of air leaks.

NOTE: Suction pipe or hose must be at least as large as the pump inlet in order for the pump to operate properly. If the suction pipe or hose is longer than approximately 6 feet, use the next size larger line. Minimum depth for the suction inlet is determined by the diameter of the suction line (see example page 7).

DISCHARGE CONNECTIONS

Your pump is equipped with a single port discharge. Select the appropriate size for the application. Install a "T" as shown to allow easy priming of the pump without disconnecting the piping, or by using the priming plug on the housing.

BEFORE USE

1. Check and Fill Oil

The engine is shipped without oil. It must be filled before starting the engine. Fill with oil by removing the fill cap / dipstick. Add oil until the level reaches the bottom of the opening. Check the oil level by pushing the cleaned dipstick into the oil-fill opening. **DO NOT SCREW IT IN.** Remove the dipstick and inspect it. Add oil if needed. Reinstall the cap / dipstick. Oil capacity is 20 ounces (0.6 liter). #10W-30 oil should

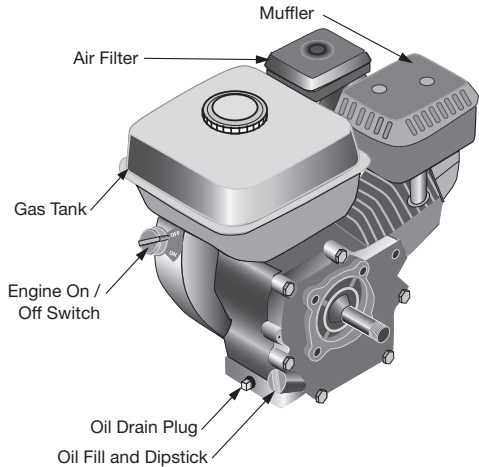
Pre-Operation

be used in normal conditions. Use #40W oil if the engine is to be run in temperatures over 90°F (32°C). Note that the engine has a low-oil monitoring system. If the oil level drops too low, the system will automatically turn off the engine.

2. Fuel: Check fuel level in tank, and do not over fill. Use fresh, clean automotive fuel.



WARNING: DO NOT FILL FUEL TANK WHEN ENGINE IS RUNNING. STOP ENGINE AND WAIT UNTIL THE ENGINE HAS COOLED DOWN BEFORE REFUELING.



WARNING FLAMMABLE! AVOID FIRE WHEN REFUELING OR MAINTENANCE.



CAUTION FLAMMABLE! DO NOT SMOKE WHEN MIXING FUEL AND REFUEL NEAR OPEN FIRE.

ANY FUEL SPILLAGE MUST BE CLEANED COMPLETELY BEFORE STARTING THE ENGINE.

DO NOT USE OLD FUEL OVER 30 DAYS. FUEL SHOULD BE CLEAN AND FRESH. FUEL AROUND THE BOTTOM OF DRUM CONTAINS DIRT, IMPURITIES AND WATER. UNUSED FUEL IN TANK (IF KEPT MORE THAN 30 DAYS) MAY CAUSE ENGINE FAILURE.

BEFORE STARTING ENGINE, PLEASE CHECK IF ENGINE OIL IS FILLED TO REQUIRED LEVEL.

3. Make sure suction hose is connected properly.
4. Fill pump with water before use.



WARNING: PUMP MUST NOT BE RUN DRY.

5. Priming Water: On self-priming pumps, only the chamber needs to be filled with liquid. The pump must not run unless the priming chamber is completely filled with liquid because there is a danger of damaging the mechanical seal, which depends on the liquid for its lubrication.

Self-priming models can be primed by removing the filler cap located at the top of the pump where the discharge line is mounted to the pump, and filling the priming chamber with liquid. After use, the priming chamber should be flushed and drained to avoid chemical corrosion and damage from freezing. Drain by removing the lower drain plug located at the bottom of the casing.

Operation

STARTING AND OPERATING THE ENGINE



WARNING: DO NOT PUMP FLAMMABLE OR EXPLOSIVE FLUIDS SUCH AS GASOLINE, FUEL OIL, KEROSENE, ETC. DO NOT USE IN EXPLOSIVE ATMOSPHERES. THE PUMP SHOULD BE USED ONLY WITH LIQUIDS THAT ARE COMPATIBLE WITH THE PUMP COMPONENT MATERIALS. FAILURE TO FOLLOW THIS WARNING CAN RESULT IN PERSONAL INJURY AND/OR PROPERTY DAMAGE.



WARNING: BEFORE STARTING ENGINE, BE SURE THE PRIMING CHAMBER IS FILLED WITH LIQUID AND THE DISCHARGE HOSE IS SECURE.



WARNING: FIRE AND EXPLOSION HAZARD. GASOLINE CAN EXPLODE. STORE GASOLINE AWAY FROM THE ENGINE. ADD GASOLINE TO THE ENGINE ONLY WHEN THE ENGINE IS OFF.

1. Open Fuel Valve

Move the fuel valve to the right to allow fuel to the engine.

2. Close Choke

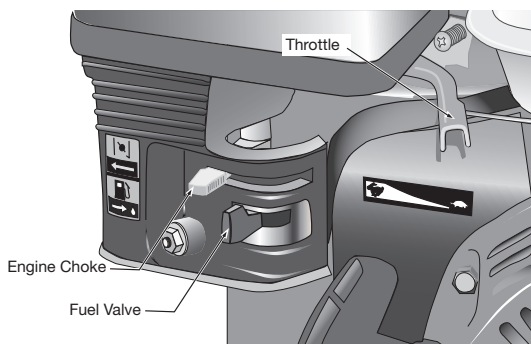
When starting a cold engine, move the choke control to the left (closed). As the engine warms up, move it towards the right (open). A warm engine should start with the choke open.

3. Position Throttle

Move the throttle (speed control) slightly to the left.

4. Turn Engine Switch On

The engine switch controls the ignition. Turn it to the "ON" position to start the engine. The same control is used to stop the engine.



5. Pull Starter

Pull the handle on the recoil starter. Adjust throttle to desired speed. Move the choke to the right as engine warms.



WARNING: DEADLY FUMES. CARBON MONOXIDE. NEVER USE THE ENGINE IN AN ENCLOSED SPACE. ONLY USE OUTDOORS WITH PLENTY OF VENTILATION.

Operation

STOPPING THE ENGINE

IMPORTANT: TO STOP ENGINE IN EMERGENCY, TURN ENGINE SWITCH DOWN TO “OFF” POSITION.

1. Move throttle lever fully to the right.
2. Turn engine switch to “OFF” position.
3. Move fuel valve left to “OFF” position.

SHUTDOWN

IMPORTANT: SHUTDOWN PROCEDURES SHOULD BE FOLLOWED AT THE END OF EACH CLEANING OPERATION.

1. Run engine at idle for 2-3 minutes.
2. Turn engine off by:
 - a. Moving throttle lever fully to the right.
 - b. Turn engine switch to “OFF” position.
 - c. Move fuel valve left to “OFF” position.



WARNING: BURN HAZARD. HOT SURFACE. THE ENGINE GETS VERY HOT DURING OPERATION. DO NOT TOUCH THE ENGINE SURFACES. KEEP CHILDREN AWAY. ALLOW THE ENGINE TO COOL BEFORE MOVING IT INDOORS.

3. Allow engine to cool, then wipe pump down with a damp cloth.

Trouble Shooting

SYMPTOM	PROBLEM	SOLUTION
Cannot pull or hard to pull recoil starter Not enough delivery volume	Debris caught in impeller	Dismantle & clean impeller
	Air leakage on suction side	Check suction hose and suction connections
	Engine not performing	Check & repair engine see Mi-T-M dealer
	Damage to mechanical seal	Replace mechanical seal see Mi-T-M dealer
	Suction lift is too high	Make suction lift lower
	Suction hose is too long or smaller in diameter	Shorten suction hose or enlarge diameter
	Leakage of water from discharge hose	Stop leakage of water
	Worn out impeller	Replace the impeller see Mi-T-M dealer
Pump does not prime	Air goes in from suction side	Check hose and suction connections (See Solution 2)
	Insufficient priming water inside pump	Pour more water into pump casing for priming
	Drain plug is loose	Tighten drain plug firmly.
	Damage of mechanical seal	Replace mechanical seal see Mi-T-M dealer
	Wrong suction hose used	Use correct suction hose
	Water leakage between engine and pump	Damaged mechanical seal. Replace see Mi-T-M dealer.
	Engine does not start	Refer to engine manual see Mi-T-M dealer

Maintenance

AIR FILTER

The air filter should be checked every month for dust and dirt accumulation. Every 6 months, the filter element should be removed and cleaned. Clean the foam element with detergent and warm water. Squeeze out excess water and let it dry. Before reinstalling the filter element, soak it with engine oil and squeeze out the excess. Reinstall the filter. The engine will smoke upon start-up if too much oil is left in the filter element.

OIL LEVEL

The oil level should be checked before each use.

OIL CHANGE

The oil should be changed in the first month, and then every 6 months (or 100 hours of operation). To drain the oil, run the engine until warm. Turn off the engine, remove the oil drain plug, and let the oil drain into a pan. Reinstall the plug and fill with oil. (Capacity: 20 ounces.)

NOTE: Dispose of used oil responsibly. DO NOT pour it down drains, onto the ground or put it in the trash. Most communities have collection points for used oil.

SPARK PLUG

The spark plug should be checked and cleaned every 6 months or 100 hours. The spark plug should be replaced if it is damaged or excessively worn. The spark plug is type BPR6ES (NGK) or equivalent. The plug gap should be 0.030 in. (0.75 mm).

PUMP

Pump liquid end does not require any grease or oil for lubrication. The mechanical seal is lubricated by water when the pump is operating.

Storage

PUMP STORAGE

1. Drain pump. Flush pump after use.

One of the most common causes for faulty pump performance is gumming or corrosion inside the pump. Flush the pump and entire system with a solution that will chemically neutralize the liquid pumped. Mix according to the manufacturer's directions. This will dissolve most residues remaining in the pump, leaving the inside of the pump clean and ready for use.

2. Drain all the fuel from the fuel tank, fuel lines, and filter.
3. Store pump in a clean, dry environment.

ENGINE EXTENDED STORAGE

If the pump will be stored for more than a month or two, follow the steps below:

- drain gasoline.
- change oil.
- squirt oil (or a chemical made for storing engines) in the spark plug hole.
- rotate engine slowly until resistance is felt. (This indicates that both valves are closed.)
- install spark plug.
- cover engine.

Specifications

Specifications	WTP-F02-1MGM	WTP-F03-1MGME
Max Flow Rate:	200 GPM	440 GPM
Max Pressure:	58 PSI	54 PSI
Max Total Head:	134 ft.	125 ft.
Max Suction Lift:	25 ft.	25 ft.
Ports:	2" NPT Inlet	3" NPT Inlet
	2" NPT Outlet	3" NPT Outlet
Engine	212cc	420cc
Starting	Recoil	Electric

Warranty



Mi-T-M warrants all parts, (except those referred to below), of your new pump to be free from defects in materials and workmanship during the following periods:

For One (1) Years from the date of original purchase.

Defective parts not subject to normal wear and tear will be repaired or replaced at our option during the warranty period. In any event, reimbursement is limited to the purchase price paid.

Exclusions

1. Engine/Motor are covered under separate warranty by its respective manufacturer and is subject to the terms set forth therein.
2. Normal wear parts: Mechanical Seal
3. This warranty does not cover parts damaged due to normal wear, misapplication, misuse, operation at other than recommended. Failure to follow recommended operating and maintenance procedures also voids warranty.
4. The use of other than genuine Mi-T-M repair parts will void warranty.
5. Parts returned, prepaid to our factory or to an Authorized Mi-T-M Service Center will be inspected and replaced free of charge if found to be defective and subject to warranty. There are no warranties which extend beyond the description of the face hereof. Under no circumstances shall Mi-T-M bear any responsibility for loss of use of the unit, loss of time or rental, inconvenience, commercial loss or consequential damages.

For Service or Warranty Consideration, contact
Mi-T-M® Corporation, 50 Mi-T-M Drive, Peosta, IA 52068
563-556-7484 / 800-553-9053 / Fax 563-556-1235
Monday - Friday 8:00 a.m. - 5:00 p.m. CST

Introduction

Félicitations de l'achat de votre nouvelle pompe pour produit chimique. Vous pouvez être assurés que votre nouvelle pompe a été construite avec le plus haut niveau de précision et de fiabilité. Chaque composant a été rigoureusement testé par des techniciens pour assurer la qualité, la durabilité et la performance de cette pompe.

Ce manuel opérateur a été dressé pour que vous en retirez le meilleur parti. Par la lecture et l'application des mesures simples de sécurité, d'installation et d'opération, d'entretien et de dépannage décrites dans ce manuel, votre nouvelle pompe fonctionnera sans faille. Fonctionnera sans faille pendant de nombreuses années. Le contenu de ce manuel est basé sur la dernière information disponible du produit au moment de la publication. Le fabricant se réserve le droit d'effectuer des changements de prix, de couleur, de matériaux, d'équipement, de caractéristiques ou de modèles à tout moment sans communication préalable.

Une fois l'appareil déballé, écrivez immédiatement le numéro de série de votre appareil dans l'espace ci-dessous.

NUMÉRO DE SÉRIE _____

Assurez-vous qu'il n'y a pas de signes de dommages évidents ou cachés suite au transport. En cas de dommage, remplissez immédiatement une réclamation avec la compagnie de transport. Assurez-vous que toutes les pièces endommagées sont remplacées et les problèmes mécaniques et électriques corrigés avant l'utilisation de l'appareil. Si vous avez besoin d'assistance, entrez en contact avec votre service clientèle.

Mi-T-M® Corporation, 50 Mi-T-M Drive, Peosta, IA 52068-0050


Tél.: (563) 556-7484 / (1-800-553-9053) Fax 563-556-1235

du lundi au vendredi de 8h00 à 17h, CST (heure centrale)

Veuillez avoir les informations suivantes disponibles pour toute intervention:

1. Numéro de modèle
2. Numéro de série
3. Date et lieu d'achat

AVERTISSEMENT

 **AVERTISSEMENT:** Ce produit peut vous exposer à des agents chimiques, y compris le monoxyde de carbone, identifiés par l'État de Californie comme pouvant causer des malformations congénitales ou autres troubles de l'appareil reproducteur. Pour de plus amples informations, prière de consulter www.P65Warnings.ca.gov.

AVERTISSEMENT


 **AVERTISSEMENT:** Ce produit peut vous exposer à des produits chimiques, tel que le plomb, qui est reconnu par l'état de la Californie comme étant une cause de cancer, d'anomalies congénitales et d'autres problèmes liés à la reproduction. Pour plus de renseignements, aller à www.P65Warnings.ca.gov

Table des matières

CONTENTS	
MESURES DE PRÉCAUTIONS-INCENDIE & VENTILATION.....	20
IMPORTANT	20
INSTRUCTIONS IMPORTANTES DE MISE EN GARDE.....	21
EMPLACEMENT.....	23
RACCORD D'ASPIRATION	23
RACCORDS DE REFOULEMENT	23
AVANT UTILISATION	23
DEMARRAGE ET FONCTIONNEMENT DU MOTEUR	25
ARRÊT DE MOTEUR.....	26
ARRÊT DU MOTEUR	26
FILTRE A AIR.....	28
NIVEAU D'HUILE.....	28
CHANGEMENT D'HUILE	28
BOUGIE.....	28
POMPE	28
ENTREPOSAGE DE LA POMPE	29
ENTREPOSAGE PROLONGE DU MOTEUR.....	29
CARACTÉRISTIQUES	30

THIS SPARK IGNITION SYSTEM COMPLIES WITH
CANADIAN ICES-002.
CE SYSTÈME D'ALLUMAGE PAR ÉTINCELLE EST
CONFORME À LA NORME NMB-002 DU CANADA.

WARNING/AVERTISSEMENT

RISK OF BURNS

Hot surfaces. Muffler
and adjacent areas may
exceed 150°F.



RISQUE DE BRULURES

Surfaces chaudes le tuyau
d'échappement et les régions
adjacentes peuvent dépasser
les 65°C.

34-0767/122613

Sécurité

RECONNAÎTRE LES SYMBOLES DE MISE EN GARDE

Voici le symbole de mise en garde. Lorsqu'il apparaît sur la pompe ou dans la présente publication, c'est pour prévenir d'un risque potentiel de blessure.

Respecter tous les conseil de sécurité ainsi que les con-signes générales de prévention des accidents.



COMPRENDRE LES TERMES DE MISE EN GARDE

Les avertissements de sécurité "DANGER, AVERTISSEMENT ou ATTENTION" sont entourés par un "ENCADRE ALERTE SECURITE". Cet encadré est utilisé pour indiquer et souligner les avertissements de sécurité qui doivent être suivis en utilisant la pompe. En plus des avertissements de sécurité, des "mots d'alerte" sont utilisés pour indiquer le degré ou niveau de risque. Les "mots d'alerte" utilisés dans ce manuel sont comme suit:



DANGER: INDIQUE UNE SITUATION AU DANGER IMMINENT QUI, SI ELLE N'EST PAS ÉVITÉE, ENTRAÎNERA LA MORT OU DES BLESSURES GRAVES.

AVERTISSEMENT: INDIQUE UNE SITUATION POTENTIELLEMENT DANGEREUSE QUI, SI ELLE N'EST PAS ÉVITÉE, POURRAIT ENTRAÎNER LA MORT OU DES BLESSURES GRAVES.

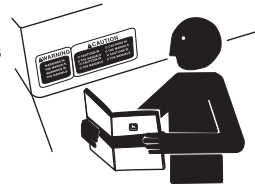
ATTENTION: INDIQUE UNE SITUATION POTENTIELLEMENT DANGEREUSE, QUI, SI ELLE N'EST PAS ÉVITÉE, PEUT ENTRAÎNER DES BLESSURES MINEURES OU PEU GRAVES ET DES DÉGATS AU COMPRESSEUR.

LISEZ LES INSTRUCTIONS D'UTILISATION

Familiarisez vous toujours avec l'ensemble des instructions et avertissements avant de faire fonctionner tout outil.

Une utilisation incorrecte ou dangereuse de cette pompe peut entraîner la mort ou des blessures corporelles graves! Ce manuel contient des informations importantes sur la sécurité de cet appareil. Bien lire et comprendre ce manuel avant d'utiliser cette pompe pour produit chimique.


Ce manuel doit être disponible pour tout autre utilisateur ou propriétaire avant utilisation de la pompe. Ce manuel doit être rangé dans un lieu sûr.



Sécurité


IMPORTANT

MESURES DE PRÉCAUTIONS-INCENDIE & VENTILATION

 **AVERTISSEMENT: NE PAS POMPER DE LIQUIDES INFLAMMABLES OU EXPLOSIBLES TELS QUE L'ESSENCE, LE MAZOUT, LE KÉROSÈNE, ETC. NE PAS UTILISER DANS UN ENVIRONNEMENT EXPLOSIF. LA POMPE NE DOIT ÊTRE UTILISÉE QU'AVEC DES LIQUIDES COMPATIBLES AVEC LES MATÉRIAUX DES COMPOSANTS DE LA POMPE. LE NON-RESPECT DE CET AVERTISSEMENT PEUT ABOUTIR EN DES DOMMAGES MATÉRIELS ET/OU DES BLESSURES CORPORELLES.**

1. Cet appareil n'a été conçu que pour utilisation à l'extérieur. N'utilisez JAMAIS cet appareil dans un lieu clos. Assurez-vous toujours qu'il y a assez d'air (oxygène) pour la combustion ainsi que pour la ventilation afin d'éviter la présence de gaz dangereux d'oxyde de carbone. Méfiez-vous des secteurs mal aérés ou des ventilateurs qui peuvent causer une combustion insuffisante ou un surchauffement du moteur.
2. N'utilisez JAMAIS l'appareil en présence de vapeurs inflammables ou de poussières combustibles, de gaz ou d'autres matériaux combustibles (Une étincelle pourrait causer une explosion ou un incendie.) Pendant l'entretien de l'appareil, faites particulièrement attention à vous débarrasser correctement de tous matériaux inflammables. NE JAMAIS pulvériser de liquides inflammables.
3. RÉSERVOIR DE CARBURANT DU MOTEUR:
 - a. NE JAMAIS FUMER EN REMPLISSANT LE RÉSERVOIR DE CARBURANT DU MOTEUR.
 - b. NE JAMAIS remplir le réservoir de carburant de moteur pendant que l'appareil marche ou est chaud. Permettre au moteur de refroidir pendant deux minutes avant le réapprovisionnement en carburant.
 - c. NE PAS réapprovisionner en carburant à l'intérieur ou dans un secteur mal aéré.
 - d. Remplissez TOUJOURS le réservoir de carburant lentement pour éviter que du carburant ne soit renversé, ce qui pourrait causer un risque d'incendie.
4. NE PAS se servir de l'appareil si de l'essence est renversée. Essayez l'appareil et éloignez-le de la flaque. Évitez de créer toute sorte d'ignition jusqu'à ce que l'essence se soit évaporée.
5. NE rangez PAS l'appareil près d'une flamme ou d'un équipement tel qu'un four, un fourneau, un chauffe-eau, etc., équipé d'une lampe témoin ou de dispositifs qui peuvent créer une étincelle.

IMPORTANT

 **UN ÉCLATEUR DOIT ÊTRE AJOUTÉ AU SILENCIEUX DE CET APPAREIL SI IL VA SERVIR SUR TOUTE TERRE NON AMENDÉ COUVERTE DE FORÊT, DE BROUSSAILLE OU D'HERBE. L'ÉCLATEUR DOIT ÊTRE MAINTENU EN BONNE CONDITION DE MARCHÉ PAR L'UTILISATEUR.**

Ce qui suit est requis par la Loi d'Etat de Californie, Section 4442 du Code de Ressources Publiques de Californie. D'autres états ont peut être des lois semblables. Les Lois Fédérales s'appliquent sur les terres fédérales. Voir votre concessionnaire de moteur ou d'équipement pour vos options d'éclateur pour silencieux.

Sécurité

INSTRUCTIONS IMPORTANTES DE MISE EN GARDE

1. Ne pas toucher le pot d'échappement ou toute partie du moteur.
2. NE PAS DÉPASSER les vitesses, pressions et températures recommandées (120 degrés F ou 48 degrés C) pour la pompe et le matériel utilisé.
3. AVANT L'ENTRETIEN, vidanger tous les liquides du système et rincer. Retirer le fil de la bougie avant d'entretenir la pompe ou le moteur.
4. Bien attacher les tuyaux de refoulement avant de démarrer la pompe. Un tuyau non fixé peut fouetter et être la cause de blessures corporelles et/ou de dommages matériels.
5. S'assurer que le tuyau n'est pas affaibli ou usé avant chaque utilisation. S'assurer que tous les raccords sont serrés et bien en place.
6. Inspecter périodiquement la pompe et les composants du système. Exécuter un entretien de routine selon les instructions (Voir la partie Entretien).
7. Protéger la pompe des conditions de gel en vidangeant le liquide et en pompant un antigel automobile de type permanent contenant un protecteur anti-rouille à travers le système afin de revêtir l'intérieur de la pompe. Un mélange en quantité égale d'eau et d'antigel est recommandé.
8. Ne pas utiliser un moteur à essence dans un endroit clos. S'assurer que la zone est bien ventilée.



AVERTISSEMENT: L'ESSENCE EST UN CARBURANT EXTREMEMENT COMBUSTIBLE. L'UTILISATION, LA MANIPULATION, OU L'ENTREPOSAGE INCORRECT D'ESSENCE PEUT ÊTRE DANGEREUX. NE JAMAIS TOUCHER OU REMPLIR UN MOTEUR CHAUD.

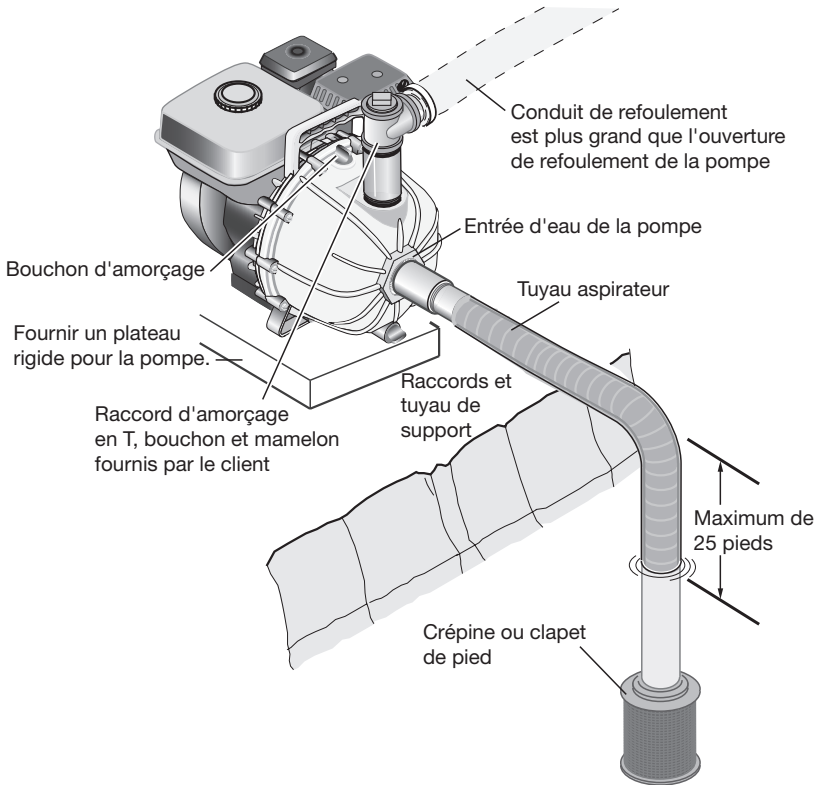
9. N'utiliser que des conduits, tuyaux et raccords certifiés pour la pression maximale de la pompe.
10. Ne pas utiliser ces pompes pour pomper de l'eau ou autres liquides destinés à une consommation humaine ou animale.

Note: Il est illégal d'expédier ou de transporter des produits chimiques dangereux sans une autorisation de l'Agence de Protection de l'Environnement des Etats-Unis.

11. Toujours vidanger et rincer les pompes avant de les entretenir ou de les démonter pour toute raison.
12. Vidanger tous les liquides et rincer l'appareil avec un liquide neutralisant avant de le rapporter pour des réparations. Puis, vidanger la pompe. Attacher une étiquette ou inclure un mot écrit certifiant que ceci a été fait.
13. Ne jamais entreposer des pompes contenant des produits chimiques dangereux.

NOTE: Lire ces instructions avant d'assembler votre nouvelle pompe pour une performance optimale et un fonctionnement continu et satisfaisant. Ce manuel peut être un guide précieux si une réparation s'avère nécessaire. Garder le à proximité de la zone de travail pour une référence facile.

Features



⚠ AVERTISSEMENT: ASPIRATION DANGEREUSE. PEUT COINCER LES PERSONNES CONTRE L'ARRIVÉE D'ASPIRATION. UTILISER TOUJOURS LA CREPINE SUR LE TUYAU ASPIRATEUR AFIN D'ÉVITER D'ÊTRE PIÉGÉ.

N'utiliser que des conduits ou tuyaux renforcés pour faire le raccord d'aspiration. Le tuyau doit être assez fort pour éviter de s'affaisser pendant le fonctionnement.

La surface de la grille d'aspiration doit être au moins quatre fois plus grande que la surface du conduit d'aspiration.

Toute la tuyauterie d'aspiration doit monter vers l'orifice d'entrée de la pompe.

Soutenir la tuyauterie et les raccords afin de réduire la tension sur le corps de la pompe.

Profondeur de l'orifice d'aspiration d'au moins quatre (4) fois le diamètre du tuyau d'aspiration afin d'éviter la formation de vortex. Exemple: Conduit de 2 pouces (5 cm) x 4 = 8 pouces (20 cm) de profondeur minimale.

NOTE: Avant d'assembler la pompe pour son utilisation, vérifier que le moteur démarre facilement en tirant sur le lanceur à rappel. Si le moteur ne démarre pas, ouvrir le carter et chercher des obstructions coincées dans la pompe.

Pre-fonctionnement

NOTE: Une crépine à panier doit être utilisée lors du transfert de solutions qui peuvent contenir des débris et des solides qui pourraient se loger dans la pompe ou endommager la roue à aubes. Etant donné la grande puissance d'aspiration de cette pompe, des débris éventuels peuvent être aspirés du fond du réservoir et siphonnés. Installer la crépine du côté aspiration de la pompe chaque fois que possible pour éviter d'endommager la pompe.

EMPLACEMENT

Placer l'appareil aussi près que possible de la source d'eau afin de minimiser la hauteur d'aspiration, d'obtenir un pompage optimal et pour aider l'amorçage. Une installation portable typique est illustrée sur la page précédente. Pour une installation permanente, monter l'appareil sur une base qui soutient le poids de la pompe et du moteur et qui fournit également de la stabilité lorsque la pompe fonctionne. Il est recommandé de boulonner directement l'appareil à la base pour la plupart des installations permanentes.

NOTE: En cas d'enfoncement dans le sol et/ou déplacement pendant son fonctionnement, les tuyaux peuvent exercer des contraintes excessives sur la pompe et endommager le carter. Placer la pompe sur une surface plate et dure. Le détecteur d'huile du moteur risque d'arrêter l'appareil s'il est placé sur une surface non-plane.

RACCORD D'ASPIRATION

Raccorder soit un conduit rigide ou un tuyau d'aspiration flexible pour pomper l'aspiration. Le tuyau choisi doit être certifié pour la dépression d'aspiration afin d'éviter son affaissement durant le pompage. S'assurer que la ligne d'aspiration monte en continu depuis sa source jusqu'à la pompe. Des points hauts pourraient retenir une poche d'air et rendre l'amorçage difficile. S'assurer que tous les raccords sont serrés et qu'ils n'ont pas de fuites d'air.

NOTE: Le tuyau ou le conduit d'aspiration doit être au moins aussi grand que l'orifice d'entrée de la pompe afin qu'elle fonctionne correctement. Si le conduit ou tuyau d'aspiration est plus long qu'environ 6 pieds (1 m 83), utiliser la taille suivante de grandeur. La profondeur minimale de l'entrée d'aspiration est déterminée par le diamètre du conduit ou tuyau d'aspiration.

RACCORDS DE REFOULEMENT

Votre pompe est équipée d'un seul orifice de refoulement. Sélectionner la bonne taille pour l'application. Installer un "T" ainsi qu'illustré pour un amorçage facile de la pompe sans déconnecter la tuyauterie ou en utilisant le bouchon d'amorçage sur le carter.

AVANT UTILISATION

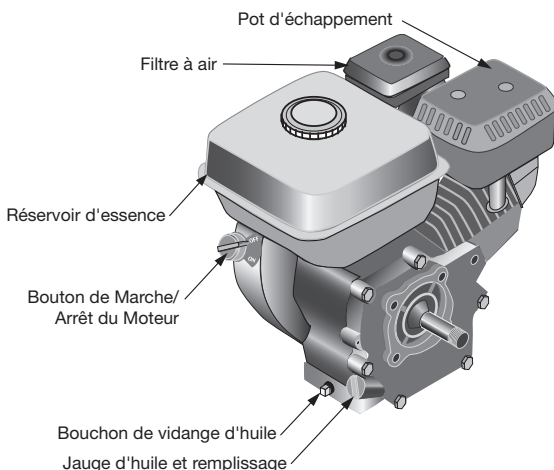
1. Vérifier et remplir l'huile.

Le moteur est expédié sans huile. Il faut ajouter l'huile avant de démarrer le moteur. Remplir d'huile en enlevant le bouchon de remplissage/jauge d'huile. Ajouter de l'huile jusqu'à ce que le niveau atteigne le fond de l'ouverture. Vérifier le niveau d'huile en poussant la jauge d'huile propre dans l'orifice de remplissage d'huile. NE PAS LE VISSER. Retirer la jauge d'huile et l'inspecter. Ajouter de l'huile si nécessaire. Replacer le bouchon/jauge. La capacité d'huile est de 20 onces (0.6 litre). De l'huile #10W-30 doit être utilisée dans des conditions normales. Utiliser de l'huile #40W si le moteur doit fonctionner dans des températures au-dessus de 90°F (32°C°). Noter que

Pre-fonctionnement

le moteur a un système de contrôle de niveau d'huile. Le système met automatiquement le moteur à l'arrêt si le niveau d'huile est trop bas.

2. Carburant: Vérifier le niveau de carburant dans le réservoir et ne pas trop le remplir. Utiliser du carburant pour automobile frais et propre.



AVERTISSEMENT: NE PAS REMPLIR LE RÉSERVOIR DE CARBURANT LORSQUE LE MOTEUR TOURNE. ARRÊTER LE MOTEUR ET ATTENDRE SON REFROIDISSEMENT AVANT DE RAVITAILLER EN CARBURANT.

AVERTISSEMENT: FLAMMABLE! EVITER TOUT FEU OU FLAMME LORS DU RAVITAILLER EN CARBURANT OU DE L'ENTRETIEN.

ATTENTION: FLAMMABLE! NE PAS FUMER LORS DU MÉLANGE DE CARBURANT ET NE PAS RAVITAILLER EN CARBURANT PRÈS D'UN FEU DIRECT.

TOUT DÉVERSEMENT DE CARBURANT DOIT ÊTRE COMPLÈTEMENT NETTOYÉ AVANT DE DÉMARRER LE MOTEUR.

NE PAS UTILISER DE CARBURANT ÂGÉ DE PLUS DE 30 JOURS. LE CARBURANT DOIT ÊTRE PROPRE ET FRAIS.

AVANT DE DÉMARRER LE MOTEUR, VÉRIFIER QUE L'HUILE DU MOTEUR EST BIEN REMPLIE JUSQU'AU BON NIVEAU.

3. S'assurer que le tuyau aspirateur est raccordé correctement.
4. Remplir la pompe avec de l'eau avant son utilisation.

AVERTISSEMENT: LA POMPE NE DOIT PAS FONCTIONNER A SEC.

5. Amorçage d'eau: Ne remplir que la chambre d'amorçage de liquide sur les pompes à amorçage automatique. La pompe ne doit pas fonctionner si la chambre d'amorçage n'est pas complètement remplie de liquide. Dans ce cas, il y a danger d'endommager la garniture mécanique qui dépend du liquide pour sa lubrification.

Les modèles à amorçage automatique peuvent être amorcés en retirant le bouchon de remplissage et en remplissant la chambre d'amorçage avec du liquide. Le bouchon de remplissage se trouve en haut de la pompe à l'endroit où le tuyau de refoulement est monté sur la pompe. La chambre d'amorçage doit être rincée et vidée après l'utilisation afin d'éviter une corrosion chimique et des dégâts causés par le gel. Vidanger en retirant le bouchon de vidange qui se trouve au fond du carter.

Fonctionnement

DEMARRAGE ET FONCTIONNEMENT DU MOTEUR

AVERTISSEMENT: NE PAS POMPER DE LIQUIDES INFLAMMABLES OU EXPLOSIBLES TELS QUE L'ESSENCE, LE MAZOUT, LE KEROSENE, ETC. NE PAS UTILISER DANS UN ENVIRONNEMENT EXPLOSIF. LA POMPE NE DOIT ETRE UTILISEE QU'AVEC DES LIQUIDES COMPATIBLES AVEC LES MATERIAUX DES COMPOSANTS DE LA POMPE. LE NON-RESPECT DE CET AVERTISSEMENT PEUT ABOUTIR EN DES BLESSURES CORPORELLES ET /OU DES DOMMAGES MATERIELS.

AVERTISSEMENT: S'ASSURER QUE LA CHAMBRE D'AMORÇAGE EST REMPLIE DE LIQUIDE ET QUE LE TUYAU DE REFOULEMENT EST BIEN ATTACHE AVANT DE DEMARRER LE MOTEUR.

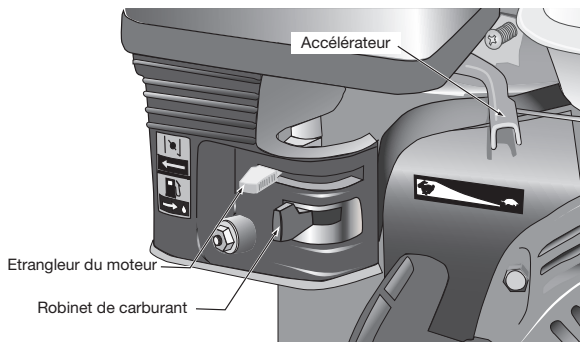
AVERTISSEMENT: RISQUE D'INCENDIE ET D'EXPLOSION. L'ESSENCE PEUT EXPLOSER. NE JAMAIS ENTREPOSER L'ESSENCE A COTE DU MOTEUR. N'AJOUTER DE L'ESSENCE QUE SI LE MOTEUR EST A L'ARRET.

1. Ouvrir le robinet de carburant.

Déplacer le levier de carburant vers la droite afin que le carburant atteigne le moteur.

2. Fermer l'étrangleur.

Déplacer la manette de l'étrangleur vers la gauche (fermée) lors du démarrage d'un moteur froid. Déplacer la manette vers la droite (position ouverte) lorsque le moteur se réchauffe. La manette de l'étrangleur doit être placée en position ouverte lors du démarrage d'un moteur chaud.



3. Position de la manette d'accélération.

Placer l'accélérateur (contrôle de vitesse) légèrement à la gauche.

4. Tourner le bouton de marche/arrêt du moteur à la position de marche (ON).

Le bouton du moteur contrôle l'allumage. Le tourner à la position de marche (ON) afin de démarrer le moteur. Le même contrôle est utilisé pour arrêter le moteur.

5. Tirer le démarreur.

Tirer la poignée du lanceur à rappel. Régler l'accélérateur à la vitesse désirée. Déplacer la manette de l'étrangleur vers la droite quand le moteur se réchauffe.

Fonctionnement



AVERTISSEMENT: VAPEURS MORTELLES. OXYDE DE CARBONE. NE JAMAIS UTILISER LE MOTEUR DANS UN ESPACE CLOS. NE L'UTILISER QU'A L'EXTERIEUR AVEC UNE BONNE VENTILATION.

ARRÊT DE MOTEUR

IMPORTANT: POUR ARRÊTER LE MOTEUR EN CAS D'URGENCE, TOURNER LA MANETTE D'ACCÉLÉRATION VERS LE BAS À LA POSITION «STOP» (ARRÊT).

1. Déplacer la manette d'accélération complètement vers la droite.
2. Tourner le bouton du moteur à la position d'arrêt (OFF).
3. Déplacer le levier de carburant vers la gauche jusqu'à la position d'arrêt (OFF).

ARRÊT DU MOTEUR

IMPORTANT: LES PROCÉDURES D'ARRÊT DOIVENT ÊTRE SUIVIES À LA FIN DE CHAQUE OPÉRATION DE NETTOYAGE.

1. Faire tourner le moteur au ralenti pendant 2-3 minutes.
2. Arrêter le moteur.
 - a. Déplacant la manette d'accélération complètement vers la droite.
 - b. Tourner le bouton du moteur à la position «OFF» (arrêt).
 - c. Déplacer la soupape de carburant vers la gauche à la position «STOP» (ARRÊT).



AVERTISSEMENT: RISQUE DE BRULURES. SURFACE CHAUDE. LE MOTEUR DEVIENT TRES CHAUD LORS DU FONCTIONNEMENT. NE PAS TOUCHER LES SURFACES DU MOTEUR. MAINTENIR LES ENFANTS A L'ECART DU MOTEUR. LAISSER LE MOTEUR REFROIDIR AVANT DE LE DEPLACER A L'INTERIEUR.

3. Laisser le moteur refroidir et ensuite essuyer avec un chiffon humide.

Dépannage

SYMPTÔME	PROBLÈME	SOLUTION	
Le lanceur à rappel est difficile ou impossible à tirer.	Obstacles dans la roue à aubes	Démonter et nettoyer la roue à aubes	
	Fuite d'air du coté aspiration	Vérifier la tuyauterie du coté aspiration (voir solution 2)	
	Puissance fournie du moteur faible	Vérifier réparer le moteu	
	Garniture mécanique endommagée	Remplacer mécanique endommagée	
	Hauteur d'aspiration est élevée	Hauteur d'aspiration est élevée	
	Pas assez de volume de refoulement	Le tuyau d'aspiration est trop long ou trop petit de diamètre	Le tuyau d'aspiration est trop long ou trop petit de diamètre
		Fuite d'eau du tuyau ou conduit de refoulement	Vérifier et arrê Fuite d'eau
		Obstacles dans la roue à aubes	Démonter et nettoyer la roue à aubes (voir solution 1
Usure de la roue à aubes		Remplacer de roue à aubes)	
La pompe n'amorce pas l'eau	De l'air rentre par le coté aspiration	Vérifier la tuyauterie du coté aspiration (voir solution 2)	
	Quantité d'eau d'amorçage dans le corps de la pompe insuffisante	Verser plus d'eau dans le corps de la pompe pour l'amorcer. (Consulter la partie Avant le Fonctionnement 5)	
	Le bouchon de vidange n'est pas serré	Serrer le bouchon de vidange fermement.	
	Garniture mécanique endommagée	Remplacer mécanique endommagée	
	Mauvais tuyau aspirateur est utilisé	Utiliser correctement le tuyau aspirateur.	

Entretien

FILTRE A AIR

Le filtre à air doit être inspecté tous les mois pour toute accumulation de poussière ou saleté. L'élément filtrant doit être retiré et nettoyé tous les 6 mois. Nettoyer l'élément en mousse avec du détergent et de l'eau chaude. Faire sortir tout excès d'eau et laisser sécher. Imprégner l'élément filtrant avec de l'huile pour moteur et faire sortir l'excès avant de le remettre en place. Replacer le filtre. Le moteur va fumer au démarrage si trop d'huile reste dans l'élément filtrant.

NIVEAU D'HUILE

Le niveau d'huile doit être contrôlé avant chaque utilisation.

CHANGEMENT D'HUILE

L'huile doit être changée lors du premier mois et ensuite tous les 6 mois (ou toutes les 100 heures d'utilisation). Pour vidanger l'huile, faire tourner le moteur jusqu'à ce qu'il soit chaud. Mettre le moteur à l'arrêt, puis retirer le bouchon de vidange d'huile et laisser l'huile s'écouler dans une cuvette. Remettre le bouchon et remplir d'huile. (Capacité de 20 onces/0.6 litres)

NOTE: Se débarrasser de l'huile de manière responsable. NE PAS le verser dans les canalisations, sur la terre ou le mettre à la poubelle. La plupart des communautés ont des dépôts pour l'huile usée.

BOUGIE

La bougie doit être examinée et nettoyée tous les 6 mois ou 100 heures. La bougie doit être remplacée si elle est endommagée ou excessivement usée. La bougie est de type BPR6ES (NGK) or équivalent. L'écartement de la bougie doit être de 0.030 pouces (0.75 mm).

POMPE

La pompe ne nécessite pas de graisse ou d'huile pour être lubrifiée. La garniture mécanique est lubrifiée par l'eau lorsque la pompe fonctionne.

Entretien

ENTREPOSAGE DE LA POMPE

1. Vider la pompe. Rincer la pompe après utilisation.

L'encrassement ou la corrosion à l'intérieur de la pompe sont les causes les plus courantes de performance défectueuse de la pompe. Rincer la pompe et tout le système avec une solution qui neutralise le liquide pompé. Mélanger selon les instructions du fabricant. Ceci dissout la plupart des résidus restant et laisse l'intérieur de la pompe propre et prête à utiliser.

2. Vider tout carburant du réservoir de carburant, des conduits d'essence et du filtre.
3. Entreposer la pompe dans un environnement propre et sec.

ENTREPOSAGE PROLONGE DU MOTEUR

Les instructions du moteur qui accompagne votre appareil énumèrent les procédures précises concernant l'entretien de votre moteur. Le respect des recommandations du fabricant prolongera la durée de vie de travail de votre moteur.

Caractéristiques

Caractéristiques	WTP-F02-1MGM	WTP-F03-1MGME
Débit maximum:	200 GPM	440 GPM
Pression maximale:	4 bars	3,7 bars
Hauteur de refoulement maximum:	41 mètres	38 mètres
Hauteur d'aspiration maximum:	25 pieds 7,5 mètres	25 pieds 7,5 mètres
Orifices:	Entrée NPT de 2 pouces (5.08 cm)	Entrée NPT de 3 pouces (7.62 cm)
	Sortie NPT de 2 pouces (5.08 cm)	Sortie NPT de 3 pouces (7.62 cm)
Moteur	212cc	420cc
Démarrage	Lanceur à rappel	Electrique

Garantie



Mi-T-M garantit toutes les pièces (à l'exception de celles stipulées ci-dessous), de votre nouvelle pompe pour produits chimiques en cas de défauts de matériaux et de fabrication pendant les périodes suivantes:

Pendant Un (1) années à partir de la date d'achat initiale.

Les pièces défectueuses ne résultant pas d'une usure normale seront réparées ou remplacées à notre choix pendant la période de garantie. Quoi qu'il arrive, le remboursement est limité au prix d'achat.

Pieces exclues de la garantie

1. Le moteur et la pompe sont garantis séparément par les fabricants et sont sujets aux limites ci-inclus.
2. Cette garantie ne couvre pas les pièces endommagées par l'usure normale, une mauvaise utilisation, une utilisation abusive ou un fonctionnement autre que recommandé. La garantie ne couvre pas les dégâts provoqués par un mauvais suivi des procédures de fonctionnement et d'entretien .
3. L'utilisation de pièces de réparation autres que celles d'origine annule la garantie.
4. Les pièces renvoyées en port payé, à notre usine ou à un centre de réparation Mi-T-M agréé seront inspectées et remplacées gratuitement si elles s'avèrent être défectueuses et couvertes par la garantie. Il n'existe aucune garantie prolongeant les dates d'expiration stipulées ci-dessus. Le fabricant n'est en aucun cas responsable des pertes d'usage, de temps ou de location, des dérangements causés, des pertes commerciales ou des dommages qui en résultent.

Pour toute question de service ou de garantie, s'adresser à
Mi-T-M Corporation, 50 Mi-T-M Drive, Peosta, IA 52068-0050
Tél.: 563-556-7484 / 800-553-9053 / Fax 563-556-1235
Du lundi au vendredi de 8h00 à 17h00, heure centrale

Introducción

¡Felicitaciones por la compra de su nueva herramienta! Puede estar seguro que de herramienta fue construida con el nivel más alto de precisión y exactitud. Cada componente ha sido probado rigurosamente por técnicos para asegurar la calidad, la resistencia y el rendimiento de esta unidad.

Este manual del operador fue compilado para su beneficio. Leyendo y siguiendo los pasos simples de seguridad, instalación, operación, mantenimiento y localización de fallas descritos en este manual ayudará a prolongar aun más la operación libre de fallas que usted puede esperar de su nueva herramienta. El contenido de este manual está basado en la información actualizada disponible al momento de la publicación. Fabricante se reserva el derecho de efectuar cambios en precio, color, materiales, equipo, especificaciones o modelos en cualquier momento sin previo aviso.

Escriba el número de serie de su unidad en el espacio provisto abajo, una vez que la unidad haya sido desempacada.

NUMERO DE SERIE _____

Inspeccione por daño el contenido de la caja. Si algo parece dañado, NO LA DEVUELVA AL LUGAR DE COMPRA. Llame a su representante de servicio al cliente.

Mi-T-M® Corporation, 50 Mi-T-M Drive, Peosta, IA 52068
Tél.: (563) 556-7484 / (1-800-553-9053) Fax 563-556-1235
Lunes - Viernes 8:00 a.m. - 5:00 p.m. CST

Por favor tenga disponible la información siguiente para todas las llamadas de servicio:

1. Número de modelo
2. Número de serie
3. Fecha y lugar de compra

⚠ ADVERTENCIA

⚠ ADVERTENCIA: Este producto puede exponerle a químicos incluyendo carbon monoxide, que es conocido por el Estado de California como causante de defectos de nacimiento u otros daños reproductivos. Para mayor información, visite www.P65Warnings.ca.gov.

⚠ ADVERTENCIA

⚠ ADVERTENCIA: Este producto puede exponerlo a productos químicos, incluido el plomo, que el Estado de California conoce a causar cáncer y defectos congénitos u otros daños reproductivos. Para obtener más información, visite www.P65Warnings.ca.gov

Tabla de Contenidos

RECONOZCA INFORMACIÓN DE SEGURIDAD	35
PRECAUCIONES CONTRA INCENDIO Y DE VENTILACION:	36
IMPORTANTE	36
INSTRUCCIONES IMPORTANTES DE SEGURIDAD	37
INSTALACION	39
LOCALIZACION	39
CONEXION DE SUCCION.....	39
CONEXIONES DE DESCARGA	39
ANTES DE UTILIZAR.....	39
ARRANCAR Y FUNCIONAR EL MOTOR	41
PARAR EL MOTOR	42
APAGADO	42
FILTRO DE AIRE.....	44
NIVEL DE PETROLEO	44
CAMBIO DE PETROLEO.....	44
BUJÍA	44
LA BOMBA.....	44
ALMACENAMIENTO DE BOMBA	45
ALMACENAMIENTO EXTENDIDO DEL MOTOR	45
ESPECIFICACIONES	46
GARANTÍA.....	47

THIS SPARK IGNITION SYSTEM COMPLIES WITH
CANADIAN ICES-002.
CE SYSTÈME D'ALLUMAGE PAR ÉTINCELLE EST
CONFORME À LA NORME NMB-002 DU CANADA.



WARNING/ADVERTENCIA

RISK OF BURNS

Muffler and adjacent
areas may exceed
150°F.

34-0598/07262012



RIESGO DE QUEMAR

El amortiguador y las áreas
adyacentes pueden Tener
temperaturas por arriba de 65°C.

Seguridad

RECONOZCA INFORMACIÓN DE SEGURIDAD

Este es el símbolo de alerta de seguridad. Cuando mire este símbolo en la máquina o manual, sea alerta de posibilidad o potencia de graves personales.

Siga precauciones recomendables y prácticas de operación.



UNDERSTAND SIGNAL WORDS

Estos párrafos están rodeados por una “CASILLA DE ALERTA DE SEGURIDAD”. Esta casilla se usa para designar y enfatizar las Advertencias de Seguridad que deben seguirse al operar esta lavadora a presión.

Acompañando a las Advertencias de Seguridad están las “palabras de alerta” que designan el grado o nivel de seriedad de riesgo. Las “palabras de alerta” usadas en este manual son las siguientes:

PELIGRO: Indica una situación inminente riesgosa la cual, si no se evita, RESULTARA en la muerte o en lesiones graves.

ADVERTENCIA: Indica una situación potencialmente riesgosa la cual, si no se evita, PODRIA resultar en la muerte o en lesiones graves.

PRECAUCION: Indica una situación potencialmente riesgosa la cual, si no se evita PUEDE resultar en lesiones menores o moderadas.



READ OPERATING INSTRUCTIONS

Lea y observe todas las instrucciones de manejo, funcionamiento, mantenimiento y seguridad incluidas en este manual.

USO INAPROPIADO O PELIGROSO DE ESTA BOMBA PUEDE CAUSAR LA MUERTE OR LESIONES GRAVES. ESTE MANUAL CONTIENE INFORMACION IMPORTANTE SOBRE SEGURIDAD DE PRODUCTO. POR FAVOR LEA Y ENTIENDA ESTE MANUAL ANTES DE UTILIZAR LA BOMBA DE SEMI-BASURA.

Mantenga este manual disponible para otros usuarios y propietarios antes de utilizar la bomba. Mantenga este manual en un lugar seguro



Seguridad



IMPORTANT

PRECAUCIONES CONTRA INCENDIO Y DE VENTILACION:



ADVERTENCIA: NO BOMBEE LÍQUIDOS INFLAMABLES O EXPLOSIVOS, COMO GASOLINA, FUEL OIL, QUEROSENO, ETC. NO USE EN ATMÓSFERAS EXPLOSIVAS. LA BOMBA SE DEBE USAR SOLO CON LÍQUIDOS QUE SEAN COMPATIBLES CON LOS MATERIALES COMPONENTES DE LA BOMBA. EL INCUMPLIMIENTO DE ESTA ADVERTENCIA PUEDE RESULTAR EN LESIONES PERSONALES Y / O DAÑOS A LA PROPIEDAD.

1. Esta unidad fue diseñada para uso al aire libre solamente. NUNCA opere esta unidad en un área cerrada. SIEMPRE asegúrese que haya aire (oxígeno) adecuado para la combustión así también como ventilación adecuada para evitar la presencia de gases venenosos de monóxido de carbono. Esté alerta en áreas mal ventiladas o con ventiladores aspiradores que pueden causar una combustión inadecuada o sobrecalentamiento del motor.
2. NUNCA opere esta unidad en la presencia de vapores inflamables o polvo, gases combustibles u otros materiales combustibles. (Una chispa puede causar una explosión o incendio.) Tenga cuidado de descartar apropiadamente los materiales inflamables. NO rocíe líquidos inflamables.
3. TANQUE DE COMBUSTIBLE DEL MOTOR
 - a. NO FUME MIENTRAS LLENA EL TANQUE DE COMBUSTIBLE DEL MOTOR
 - b. NUNCA llene el tanque de gasolina mientras el motor está funcionando o está caliente. Permita que el motor se enfríe durante dos minutos antes de cargar combustible.
 - c. NO cargue gasolina en un ambiente cerrado o en un área mal ventilada.
 - d. SIEMPRE cargue combustible lentamente para evitar la posibilidad de combustible derramado que puede ocasionar un riesgo de incendio.
4. NO opere la unidad si hay combustible derramado. Limpie la unidad y aléjela del área del derrame. Evite crear cualquier encendido hasta que se haya evaporado la gasolina.
5. NO almacene la unidad cerca de una llama abierta ni de ningún equipo tal como cocina, horno, calentador de agua, etc., que utilice una llama piloto o mecanismos que puedan crear una chispa.

IMPORTANTE

Lo siguiente es requerido por la ley del estado de California, sección 4442 del Código de Recursos Públicos de California. Otros estados pueden tener leyes similares. Las leyes federales se aplican en las tierras federales.



ADVERTENCIA: PARA REDUCIR EL RIESGO DE HERIDO, LEA ESTE MANUAL DE UTILIZAR COMPLETAMENTE ANTES DE UTILIZARLO. MIENTRAS UTILIZANDO ESTE PRODUCTO, SIEMPRE SIGA LOS SIGUIENTES PRECAUCIONES BÁSICAS:

Para opciones del supresor de chispas del silenciador consulte con su distribuidor de motores o equipo.

Seguridad

INSTRUCCIONES IMPORTANTES DE SEGURIDAD

1. No toque el silenciador ni cualquier parte del motor.
2. NO EXCEDA la velocidad, presión, o temperatura (120 grados F) recomendadas para la bomba y el equipo e se utilizan.
3. ANTES DE DAR SERVICIO, drene todos los líquidos del sistema y lave. Quite el cable de la bujía de la bujía antes de dar servicio a la bomba o al motor.
4. Asegure las líneas de descarga antes de arrancar la bomba. Una línea no segura puede azotar, causando lesiones personales y/o daños a la propiedad.
5. Compruebe la manguera para condición débil o gastada antes de cada uso. Asegúrese que todas las conexiones están apretadas y seguras.
6. Inspeccione periódicamente la bomba y los componentes del sistema. Haga mantenimiento rutina como requerido (vea la Sección de Mantenimiento).
7. Proteja la bomba de las condiciones de congelante por drenar el líquido y por bombear un anticongelante permanente de automovil que contiene un inhibidor de corrosion a traves del sistema, cubriendo el interior de la bomba. Se recomienda una mezcla de 50% con agua.
8. No utilice un motor de gasoline en una area cerrada. Asegúrese que la area está bien ventilada.



ADVERTENCIA: GASOLINA ES UNA COMBUSTIBLE MUY INFLAMABLE. EL USO, MANEJO, O ALMACENIMIENTO INCORRECTO DE GASOLINA PUEDE SER PELIGROSO. NUNCA TOQUE O LLENE UN MOTOR CALIENTE.

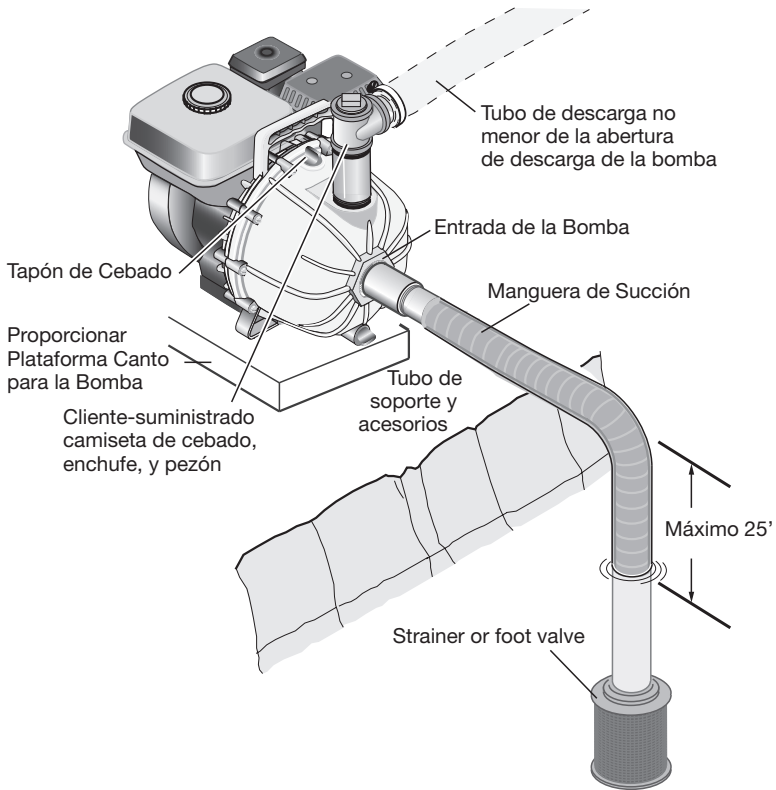
9. Solo utlice tubería, manguera y acesorios clasificados por la maxima calificación psi de la bomba.
10. No utilice estas bombas para bombear el agua o otros líquidos para consumo humano o animal.

Nota: es ilegal a enviar o transportar productos químicos peligrosos sin Licencias de Agencia de Protección Ambiental de los EEUU.

11. Siempre drene y lave las bombas antes de dar servicio o dismontar por cualquiera razón.
12. Antes de devolver la unidad para reparar, drene todos los líquidos y lave la unidad con un líquido neutralizante. Después, drene la bomba. Adjunte una etiqueta o incluya una notificación escrita que certifique que se ha hecho esto.
13. Nunca almacene las bombas que contiene los químicos peligrosos.

NOTA: Para mejor rendimiento y funcionamiento continuo y satisfactorio, lea estas instrucciones antes de instalar su nueva bomba. Si require servicio, este manual puede ser una guía valiosa. Manténgalo cerca de la instalación para referencia rápida.

Características



ADVERTENCIA: SUCCION PELIGROSA PUEDE ATRAPAR PERSONAS SOBRE LA ENTRADA DE SUCCION. SIEMPRE UTILICE EL FILTRO EN LA MANGUERA DE SUCCION PARA EVITAR EL ATRAPAMIENTO.

Utilice tubería o manguera reforzada para hacer la conexión de succión. La manguera debe ser lo suficiente fuerte para evitar el colapso durante el funcionamiento.

La area del filtro de succión necesita ser por lo menos cuatro veces la area de tubo de succión.

Todo la tubería de succión necesita inclinarse hacia arriba a la entrada de la bomba.

Apoye la tubería y los accesorios para reducir la tensión en la carcasa de la bomba.

Profundidad de la entrada de succión por lo menos cuatro veces el diámetro del tubo de succión para evitar la formación de vortices. Ejemplo: 2" Tubo x 4= 8" profundidad mínima.

Pre-Utilización

NOTA: Antes de preparar la bomba para utilizar, compruebe que el motor y la bomba giren libremente por mano. Si no pueden ser entregados por tirando en el arrancador de retroceso, abra la carcasa para comprobar si hay obstrucciones presentadas en la bomba.

NOTA: Un colador de cesto debe ser utilizado durante la transferencia de soluciones que pueden contener escombros y sólidos que podrían llegar a ser presentados en la bomba o dañar el impulsor. Debido de la alta capacidad de flujo de esta bomba, emcombros desconocidos podrían ser desviados la parte inferior del tanque. Instale el filtro en el lado de succión de la bomba cuando posible para evitar daño a la bomba.

INSTALACION

LOCALIZACION

Coloque la unidad lo mas cercano a un fuente de agua como posible para minimizar la altura de succión, obtener el mejor rendimiento de bombear, y ayudar en cebar. Una instalación portatil típico se muestra en la página anterior. Para instalación permanente, monte la unidad en una fundación que soportará el peso de la bomba y el motor y que también proporcionará estabilidad mientras la bomba se funciona. Para la mayoría de instalaciones permanentes, se avisa montar la unidad directamente a la fundación

NOTA: Instalare o pasar durante el funcionamiento puede causar que la tubería ponga tensión excesivo en la bomba y puede dañar la carcasa de la bomba. Coloque la bomba en una superficie dura y plana. Superficies que no son planas pueden causar que el sensor de petroleo en el motor apague la unidad.

CONEXION DE SUCCION

Conecte el tubo rígido o la manguera de succion flexible a la succión de bomba. Si se selecciona la manguera, la manguera debe estar clasificada para mantener el vacio de succion y evitar el colapso mientras se funciona la bomba. Haga la línea de succión un aumento continuo de la fuente de agua a la bomba. Las manchas grandes pueden atrapar el aire y tambien pueden hacer difícil el cebado. Asegúrese que todas las conexiones están apretadas y libres de fugas de aire.

Nota: El tubo de succión o la manguera debe ser por lo menos tan grande como la entrada de la bomba para asegurarse que la bomba funciona correctamente. Si el tubo de succión o la manguera es más largo que aproximadamente 6 pies, utilice la próxima línea de tamaño mas grande. La profundidad mínima para la entrada de succión se determina por el diámetro de la línea de succión (Vea ejemplo en página 7).

CONEXIONES DE DESCARGA

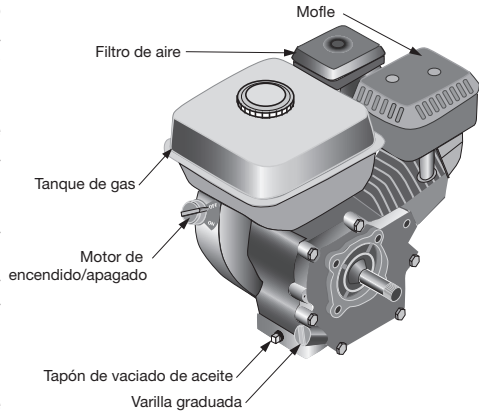
Su bomba está equipada con una descarga de un puerto. Seleccione el tamaño apropiado para la aplicación. Instale un "T" como mostrado para permitir cebado fácil de la bomba sin desconectando la tubería, o utilizando el tapón de cebado en la carcasa.

ANTES DE UTILIZAR

1. Compruebe y Llene el Petroleo
El motor se envía sin el petroleo. Debe llenarlo antes de arrancar el motor. Llene con petroleo por quitando la tapa de llenar/ la varilla. Añada petroleo hasta que el nivel llegue a la parte inferior de la abertura. Compruebe el nivel del petroleo empujando la varilla limpia a la apertura petrolera de relleno. No la atornille. Quite la varilla y

Pre-Utilización

inspecciónela. Añada petróleo si necesario. Reinstale la tapa/la varilla. La capacidad de petróleo es 20 onzas (0,6 litro) #10W-30 petróleo debe ser utilizado en condiciones normales. Utilice #40W petróleo si el motor será utilizado en temperaturas más de 90 grados F (32 grados C). Note que el motor un sistema de monitoreo de petróleo bajo. Si el nivel del petróleo baja demasiado, el sistema se apagará automáticamente el motor.



2. Combustible: Compruebe el nivel de combustible en el tanque y no llene en exceso. Utilice combustible automovil fresco y limpio.



ADVERTENCIA: NO LLENE EL TANQUE CUANDO SE FUNCIONA EL MOTOR. APAGUE EL MOTOR Y ESPERE HASTA QUE EL MOTOR SE HA ENFRIADO ANTES DE REABASTECER DE COMBUSTIBLE.



ADVERTENCIA: INFLAMABLE. MANTÉNGASE LEJOS DE FUEGO MIENTRAS REABASTECIENDO DE COMBUSTIBLE O DANDO MANTENIMIENTO.



PRECAUCION: INFLAMABLE. NO FUME MIENTRAS MEZCLANDO EL COMBUSTIBLE Y NO REABASTEZCA CERCA DE FUEGO.

CUALQUIER DERRAME DE COMBUSTIBLE TIENE QUE SER LIMPIADO COMPLETAMENTE ANTES DE ARRANCAR EL MOTOR.

NO UTILICE COMBUSTIBLE DE EDAD DE MAS DE 30 DIAS. COMBUSTIBLE DEBE SER LIMPIADO Y FRESCO. COMBUSTIBLE EN EL FONDO DE TAMBOR CONTIENE SUCIEDAD, IMPUREZAS, Y AGUA. COMBUSTIBLE EXTRA EN EL TANQUE (SI ESTA POR MAS DE 30 DIAS) PUEDE CAUSAR LA FALTA DE MOTOR.

ANTES DE ARRANCAR EL MOTOR, POR FAVOR COMPRUEBE SI EL PETROLEO DE MOTOR ESTA LLENADO AL NIVEL REQUERIDO.

3. Asegúrese que la manguera de succión está apropiadamente conectada.
4. Llene la bomba con agua antes de utilizarla.



ADVERTENCIA: NO UTILICE LA BOMBA CUANDO ESTA SECA.

5. Cebado de Agua: En las bombas autocebantes, solo la cámara necesita ser llenada con líquido. La bomba no debe funcionar hasta que la cámara de cebar está completamente llenada con líquido porque hay el peligro de dañar el sello mecánico, que depende en el líquido para su lubricación.

Modelos autocebantes pueden ser cebados por quitando el tapón de llenar localizado a la parte superior de la bomba donde la línea de descarga está montado a la bomba, y llenando la cámara de cebar con líquido. Después de utilizar, la cámara de cebar debe ser lavada y drenada para evitar la corrosión química y daño de congelación. Drene por quitando el tapón de drenaje inferior localizado al fondo de la cascara.

Funcionamiento

ARRANCAR Y FUNCIONAR EL MOTOR

ADVERTENCIA: NO BOMBEE LÍQUIDOS INFLAMABLES O EXPLOSIVOS COMO GASOLINA, PETROLEO, QUEROSENO. NO UTILICE EN AMBIENTES EXPLOSIVOS. LA BOMBA SOLO DEBE SER UTILIZADO CON LÍQUIDOS QUE SEAN COMPATIBLES CON LAS MATERIALES COMPONENTES DE LA BOMBA. NO SEGUIR ESTA ADVERTENCIA PUEDE RESULTAR EN HERIDOS PERSONALES Y/O DAÑO A LA PROPIEDAD.

ADVERTENCIA: ANTES DE ARRANCAR EL MOTOR, ASEGÚRESE QUE LA CÁMARA DE CEBAR ESTÁ LLENADA CON LÍQUIDO Y QUE LA MANGUERA DE DESCARGA ESTÁ SEGURA.

ADVERTENCIA: PELIGRO DE FUEGO Y EXPLOSIÓN. LA GASOLINA PUEDE EXPLOTAR. ALMACENE LA GASOLINA LEJOS DEL MOTOR. AÑADA LA GASOLINA AL MOTOR SÓLO CON EL MOTOR APAGADO.

1. Abra la Válvula de Combustible

Mueva la válvula de combustible a la derecha para permitir combustible al motor.

2. Cierre el Estárter

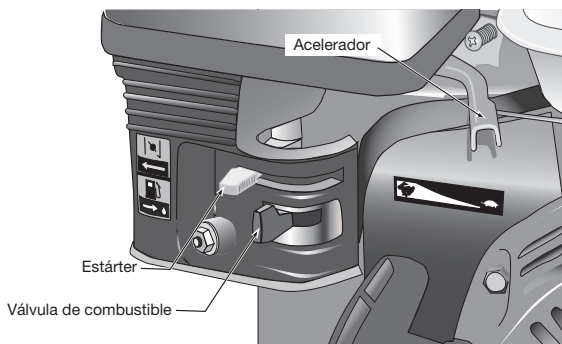
Cuando arrancando un motor frío, mueva el control del starter a la izquierda (cerrado). Mientras el motor se calienta, muévelo hacia la derecha (abierto). Un motor tibia se debe arrancar con el starter abierto.

3. Posicione el Acelerador

Mueva el acelerador (control de velocidad) un poco a la izquierda.

4. Encienda el Interruptor de Motor

El interruptor de motor controla la ignición. Gire a la posición "ON" para arrancar el motor. El mismo control se utiliza para apagar el motor.



5. Tire el Estárter

Tire la manija de arrancador de retroceso. Ajuste el acelerador a la velocidad deseada. Mueva el starter a la derecha mientras el motor se calienta.

ADVERTENCIA: LOS GASES MORTALES. MONÓXIDO DE CARBONO. NUNCA UTILICE EL MOTOR EN UN ESPACIO CERRADO. SOLO UTILICE EN EL AIRE LIBRE CON MUCHA VENTILACIÓN.

Funcionamiento

PARAR EL MOTOR

IMPORTANTE: A PARAR EL MOTOR EN UNA EMERGENCIA, GIRE EL ACELERADOR HACIA ABAJO HASTA A POSICIÓN “STOP.”

1. Mueva la palanca de acelerador totalmente a la derecha.
2. Gire el interruptor de motor a la posición OFF.
3. Mueva la válvula de combustible a la posición OFF.

APAGADO

IMPORTANTE: PROCEDIMIENTOS DE APAGADO DEBE CONSERVAR EN EL FIN DE CADA OPERACIÓN DE LIMPIANDO..

1. Haga funcionar el motor al ralentí por 2-3 minutos.
2. Apague el motor por:
 - a. Moviendo la palanca de acelerador totalmente a la derecha..
 - b. Girando el interruptor de motor a la posición OFF.
 - c. Moviendo la válvula de combustible (C) a la posición OFF.



ADVERTENCIA: PELIGRO DE QUEMADURA. EL MOTOR SE PONE MUY CALIENTE ANTES DE FUNCIONAR. NO TOQUE LAS SUPERFICIES DEL MOTOR. MANTÉNGASE LOS NIÑOS MUY LEJOS. PERMITA QUE EL MOTOR SE ENFRÍA ANTES DE MOVERLO ADENTRO.

3. Permita que el motor se enfríe, luego limpie la bomba con un paño húmedo.

Fallas

SINTOMA	SINTOMA	SOLUCION
No puede tirar o es difícil para tirar la reculada de arranque.	Hay obstáculos en el impeller	Desmonte y limpie el impeller
No hay bastante volumen de entrega.	La filtración de aire del lado de succión	Verifique la tubería en el lado de succión (Ve solución 2)
	El poder de salida es abajo del motor	Revisa y repara el motor
	Hay daño al sello mecánico	Reemplace el sello mecánico
	El ascensor de la succión es alto	Haga el ascensor de succión más bajo
	El tubo de la succión es demasiado largo o es más pequeño de diámetro	Acorte el tubo de succión o diámetro de marca más grande
	La filtración de agua de la manga de entrega o del tubo	Revisa y para alga filtración de agua
	Los obstáculos en el impeller	Desmonte y limpie el impeller (Ve solución 1)
	Desgastando del impeller	Reemplace el impeller (Reparación)
Bomba no prepare el agua.	El aire entra del lado de succión	Revise la tubería en lado de manga de succión (Ve Solución 2)
	La preparación insuficiente de agua dentro de la cubierta de bomba	Agregue más agua en la cubierta para la bomba para preparar. (Refiérase a Pre Operación 5)
	El tapón del desaguadero no es apretado	Apriete tapón de desaguadero firmemente.
	El daño de sello de mechancial	Reemplace sello mecánico
Motor no arranca	El uso de manga inexacta de succión	Utilice manga de succión correctamente
	Fuga de agua entre el motor y la bomba	Sello mecánico dañado. Reemplace. Contacte su distribuidor de Mi-T-M
		Refiere al manual de motor. Contacte su distribuidor de Mi-T-M

Mantenimiento

FILTRO DE AIRE

El filtro de aire debe ser comprobado cada mes para la acumulación del polvo y de suciedad. Cada 6 meses, el elemento filtrante debe ser quitado y limpiado. Limpie el elemento de espuma con detergente y agua tibia. Exprima el exceso de agua y permita secar. Antes de reinstalar el elemento filtrante, empápelo con petróleo de motor y exprima el exceso. Reinstale el filtro. El motor humeará durante el arranque si demasiado petróleo se deja en el elemento filtrante.

NIVEL DE PETROLEO

El nivel de petróleo debe ser comprobado antes de cada uso.

CAMBIO DE PETROLEO

Se debe cambiar el petróleo en el primer mes, y entonces cada 6 meses (o 100 horas de funcionamiento). Para drenar el petróleo, arranque el motor hasta que se calienta. Apague el motor, quite el tapón de drenaje de petróleo, y permita que el petróleo drene en un pan. Reinstale el tapón y llene con petróleo. (Capacidad: 20 onzas)

NOTA: Deseche el petróleo usado en forma responsable. NO se vierte por el desagüe, en la tierra, o en la basura. La mayoría de comunidades tiene zonas de colección para petróleo usado.

BUJÍA

Se debe comprobar y limpiar la bujía cada 6 meses o 100 horas. La bujía debe ser reemplazado si está dañada o deteriorada. La bujía es tipo BPR6ES (NGK) o equivalente. El espacio de bujía debe ser 0,030 pulgadas (0,75 mm).

LA BOMBA

La parte de líquido de bomba no se requiere ninguna grasa ni petróleo para lubricación. El sello mecánico está lubricado por agua cuando se funciona el motor.

Almacenamiento

ALMACENAMIENTO DE BOMBA

1. Drene la bomba. Lave la bomba después de utilizarla.

Una de las causas más comunes para funcionamiento de bomba defectuoso es corrosión en el interior de la bomba. Lave la bomba y el sistema entero con una solución que neutralizará químicamente el líquido bombeado. Mezcle siguiendo las instrucciones del fabricante. Esto disolverá la mayoría de los residuos que quedan en la bomba, dejando el interior de la bomba limpio y listo para funcionar.

2. Drene todo el combustible del tanque de combustible, líneas de combustible, y filtro.
3. Almacene la bomba en un ambiente limpio y seco.

ALMACENAMIENTO EXTENDIDO DEL MOTOR

Si la bomba será almacenada por más de uno o dos meses, siga los pasos siguientes:

- Drene la gasolina.
- Cambie el petróleo.
- Jeringue el petróleo (o un químico hecho para el almacenamiento de motores) en el agujero de la bujía.
- Rote el motor lentamente hasta se siente la resistencia. (Esto indica que ambas válvulas están cerradas).
- Instale la bujía.
- Cubra el motor.

Especificaciones

Especificaciones	WTP-F02-1MGM	WTP-F03-1MGME
Rato de Fluir Máximo:	200 GPM	440 GPM
Presión Máxima:	399 kPa	372 kPa
Cabeza Total Máxima:	40.84 m.	40.84 m.
Altura de Succión Máxima:	7.62 m.	7.62 m.
Puertos:	2" NPT Entrada	3" NPT Entrada
	2" NPT Salida	3" NPT Salida
Motor	212cc	420cc
Arrancar	Retroceso	Eléctrico

Garantía



Mi-T-M garantiza que todas las piezas (excepto aquellas a las que se hace referencia abajo), de su nueva bomba libres de defectos en materiales y mano de obra durante los periodos siguientes:

For uno (1) año a partir de la fecha original de compra.

Las piezas defectuosas que no están sujetas a deterioro causado por el uso serán reparadas o reemplazadas a nuestra opción durante el periodo de garantía. En todo caso, el reembolso está limitado al precio de compra pagado.

EXCLUSIONES

1. Motor está cubierto por una garantía separada por su fabricante respectivo y siga estos terminos establecidos.
2. Partes de desgaste normal: Sello Mecánico
3. Esta garantía no cubre las piezas dañadas debido al deterioro normal causado por el uso, mala aplicación, mal uso, operación a velocidades, presiones o temperaturas diferentes a las recomendadas. Las piezas dañadas o gastadas a causa del uso de líquidos cáusticos o por la operación en medios ambientes abrasivos o corrosivos o bajo condiciones que causan cavitación de la bomba no están garantizadas. La falla en seguir los procedimientos recomendados de operación y mantenimiento también cancela la garantía.
4. El uso de piezas de repuesto diferentes a las genuinas Mi-T-M cancelará la garantía.
5. El uso de piezas de repuesto diferentes a las genuinas Mi-T-M cancelará la garantía. Las piezas devueltas, con franqueo pagado a un Centro de Servicio Autorizado Mi-T-M serán inspeccionadas y reemplazadas, libre de cargos, si se determina que están defectuosas y sujetas a la garantía. No existen garantías que se extiendan más allá de la descripción contenida aquí. Bajo ninguna circunstancia Mi-T-M será responsable por la pérdida de uso de la unidad, pérdida de tiempo, inconvenientes, pérdida comercial o daños consecuentes.

Para Servicio O Consideracion De La Garantia Consulte Con:
Mi-T-M® Corporation/50 Mi-T-M Drive, Box 50/Peosta, la 52068
Telefono: 563-556-7484/
Telephone Gratis En Los Ee. Uu.: 1-800-553-9053
Fax 563-556-1235 Lunes - Viernes 8:00 A.m. - 5:00 P.m. Cst

